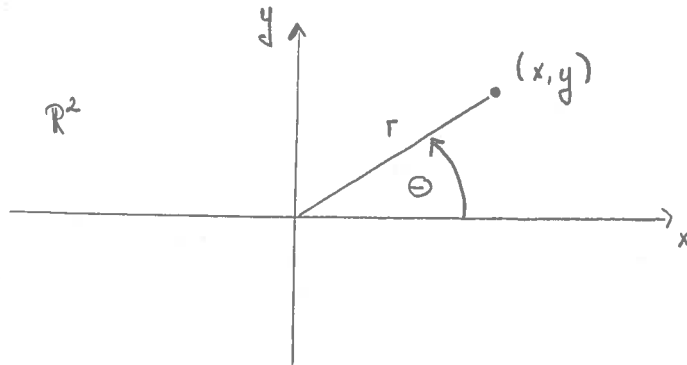


REPETITION 17/02

Polar coordinates

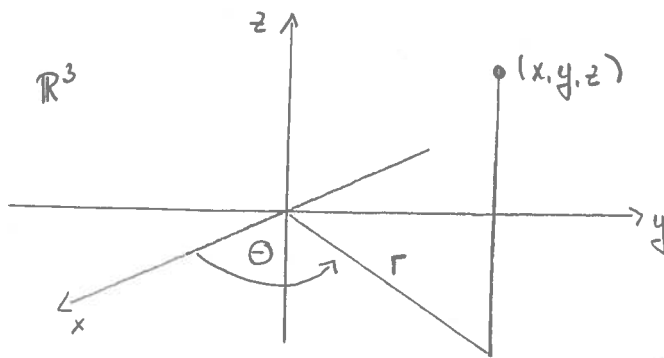


$$r \geq 0 \quad \theta \in [0, 2\pi)$$

$$x = r \cos \theta$$

$$y = r \sin \theta$$

Cylindrical coordinates



$$r = \sqrt{x^2 + y^2} \geq 0 \quad \theta \in [0, 2\pi)$$

$$x = r \cos \theta$$

$$y = r \sin \theta$$

$$z = z$$